

APPROVAL SHEET

To :

Customer P/N :

UDE P/N : S86-TD-0001

Description : RJ45 2X1 Module Jack

Through Hole

10G Base-T

Contact Area : Gold Flash

LED : L-Green; R-Yellow



Spec No.
S8621001-00

Update Date
2021/3/11

Revision
A

| Approved | Checked | Prepared |
|----------|---------|----------|
| | | |



湧德電子 股份有限公司
UDE Corp.

桃園市(33852) 蘆竹區內溪路 68 巷13號

No.13, Ln. 68, Neixi Rd., Luzhu Dist., Taoyuan City (33852), Taiwan

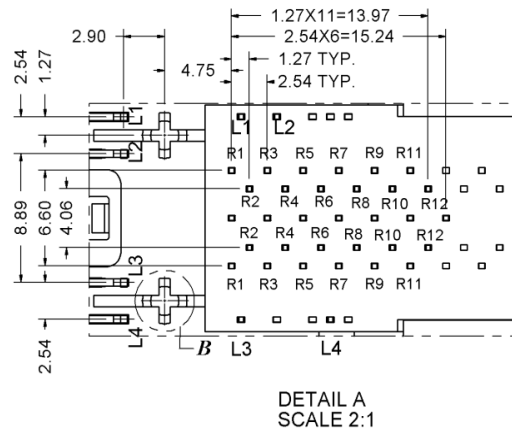
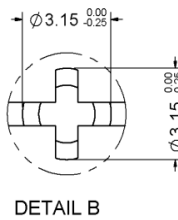
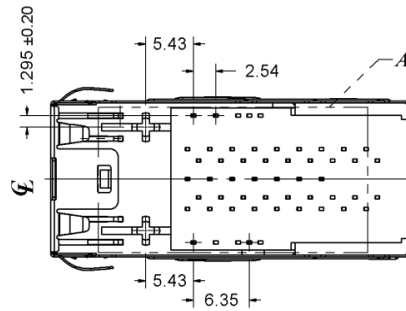
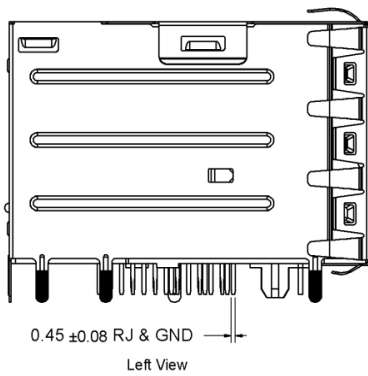
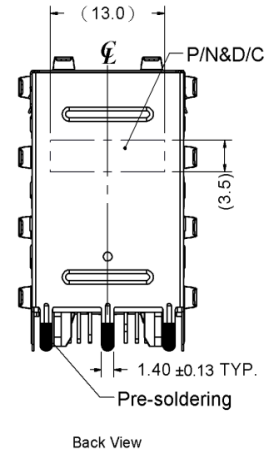
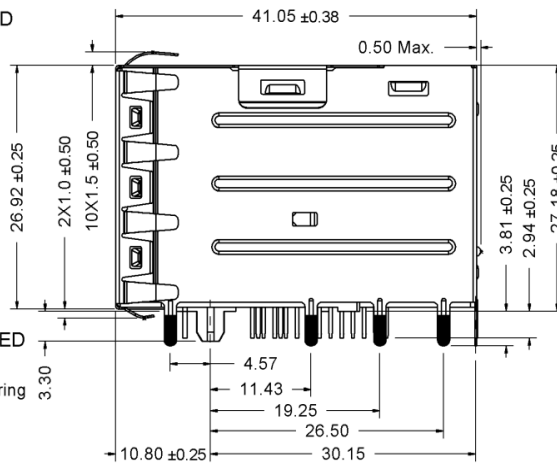
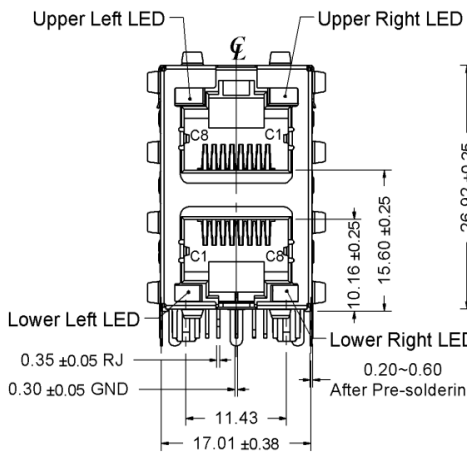
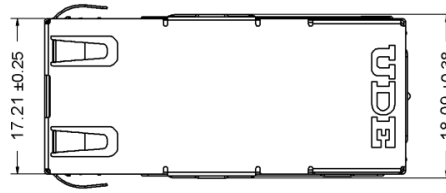
TEL: 886-3-3242000 FAX: 886-3-3246611

<http://www.ude-corp.com/>

1. MECHANICAL DIMENSION

Product Dimension

| | | |
|---------|---------------------|---------------|
| Unit:mm | General Tolerance : | X.X : ± 0.38 |
| | | X.XX : ± 0.20 |



Recommended PCB Layout. Component side of board

All dimension units are "mm".

All dimension tolerances are ±0.05mm unless otherwise specified.

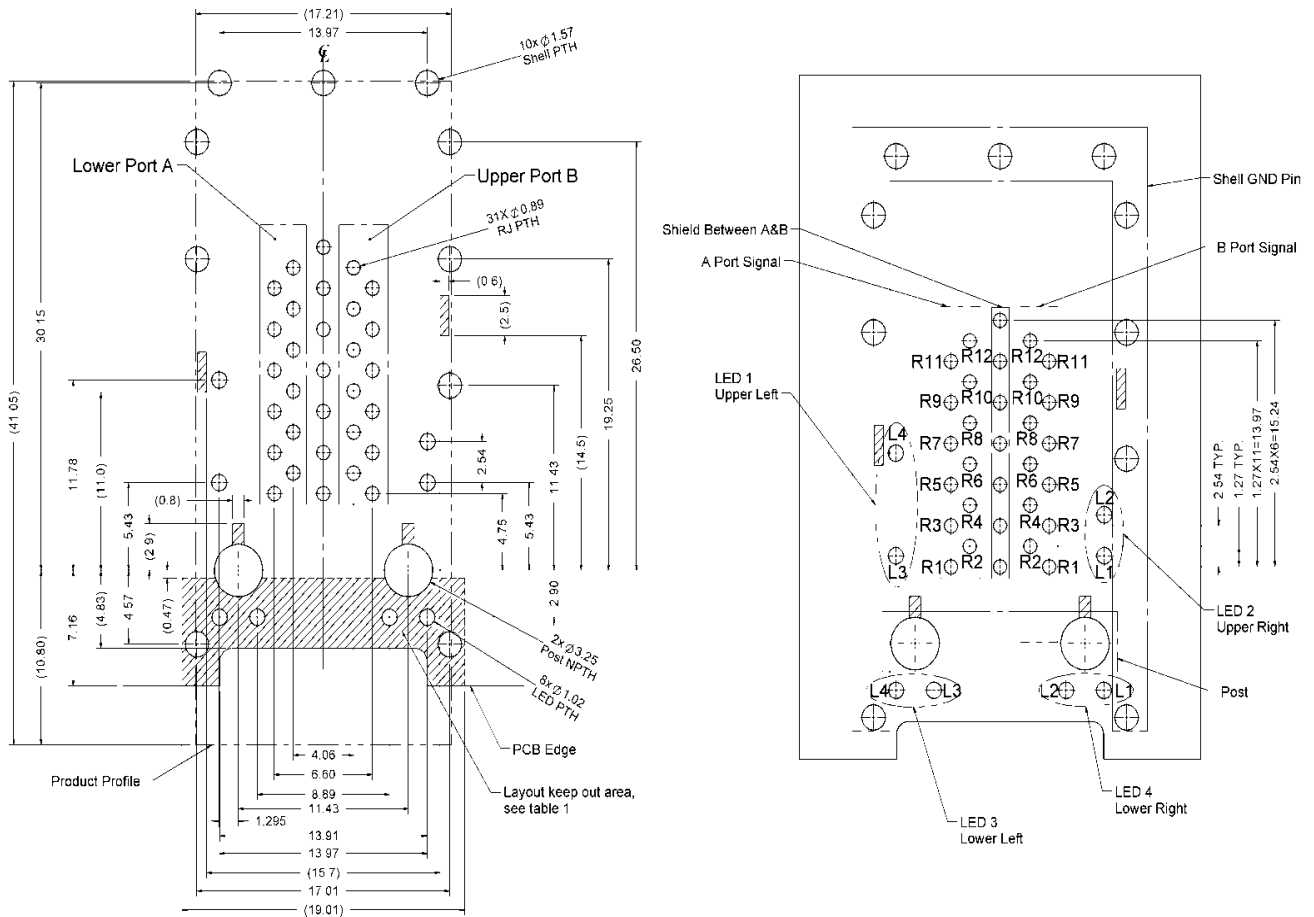
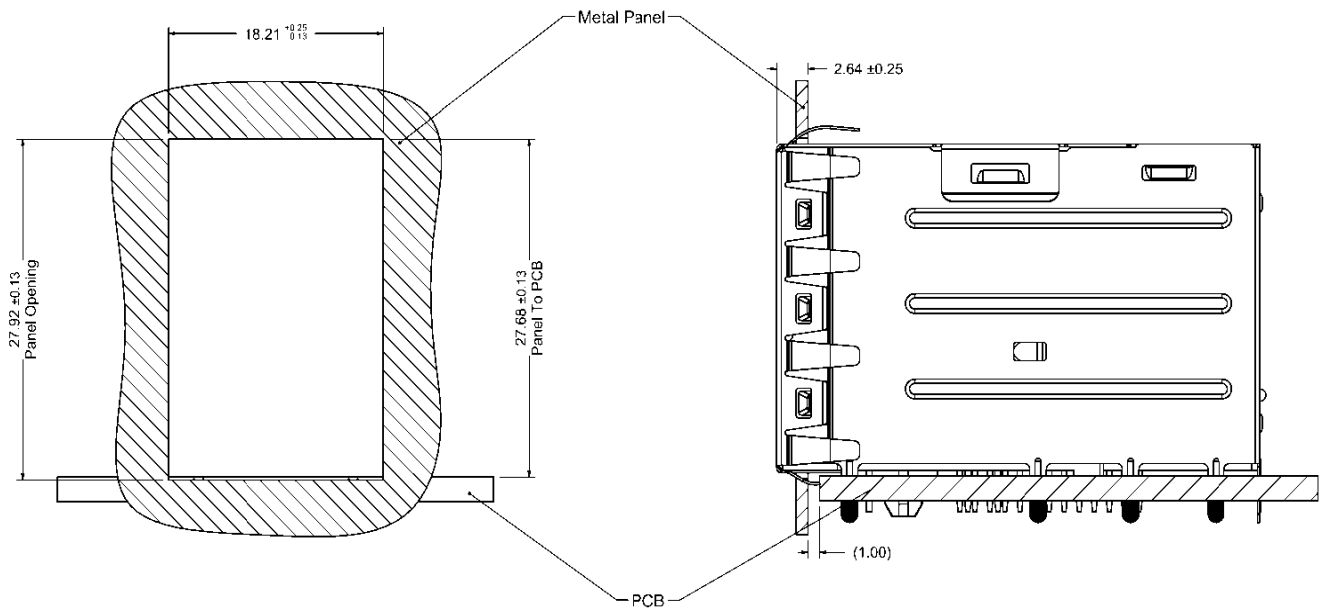


Table1

| Layout Layer | Trace | component | Grounding | Test Point | Via Hole | PTH | NPTH |
|-----------------|-------|-----------|-----------|------------|----------|-----|------|
| Component side | X | X | O | X | X | X | O |
| Inner layer | O | NA | O | NA | O | X | O |
| Bottom side | O | O | O | O | O | X | O |

X--Forbid; O--OK; NA--Not Applicable.

Recommended Panel cutout



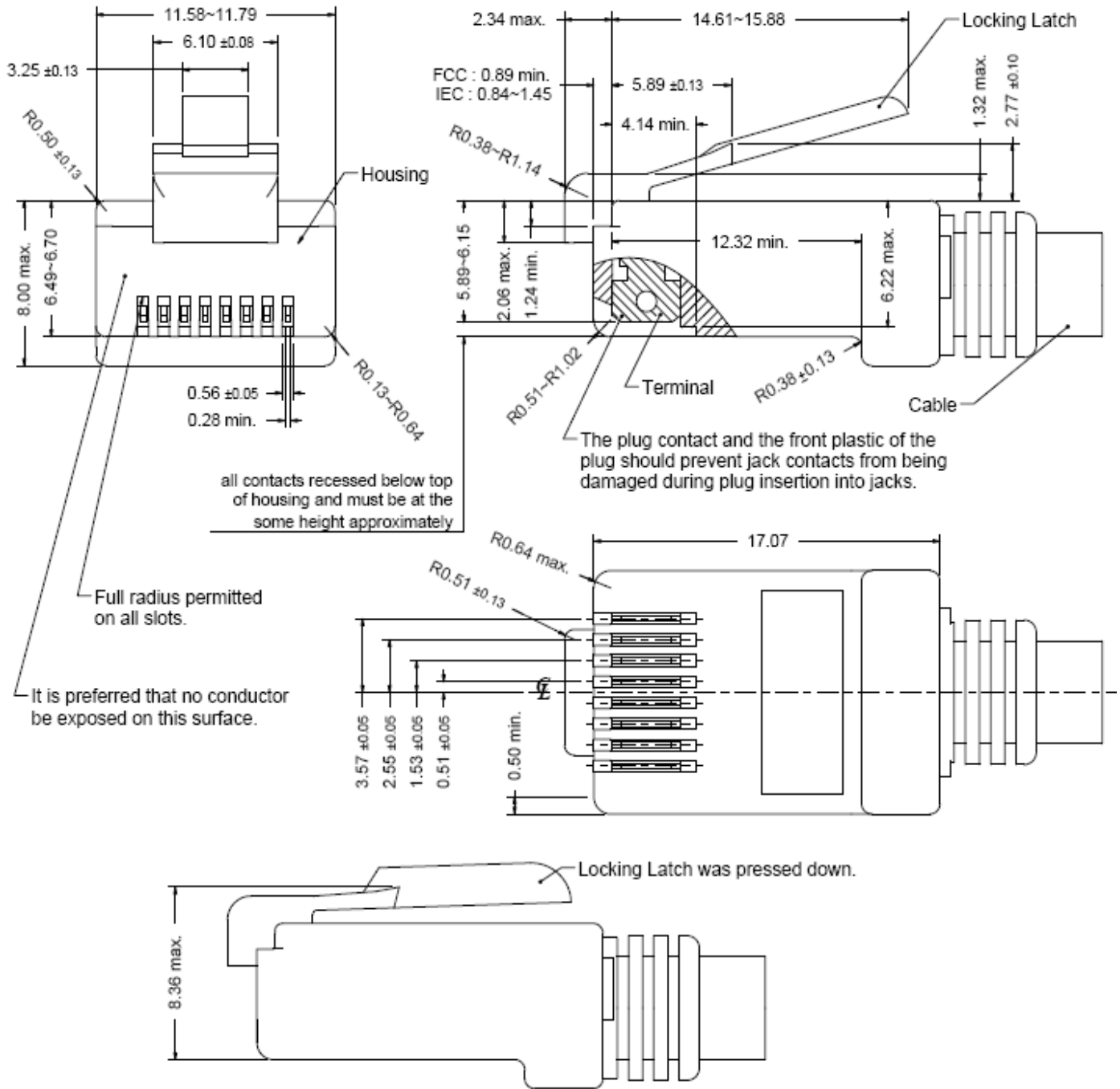
2. Packing Information

30 pcs finished goods per tray

4trays(120 pcs finished goods) per inner box

4 Inner boxes(480 pcs finished goods) per master carton

3. Standard RJ45 Plug Specification



- All dimensions follow :
FCC subpart F, 68,500, Figure (C)(2)(i) & (C)(2)(ii) & (C)(3)(i)
IEC 60603-7
- All plugs must be meeting the requirements of plug Go & No-Go gauge.
Gauge follow : FCC subpart F, 68,500, Figure (C)(4)(i) & (C)(5)(i)
- There must be no damage to Housing and Locking Latch.
- There must be no nicks and cuts in cable.
- Durability : 750 cycles generally

4. REQUIREMENTS

Design and Construction

Product shall be of design, construction and physical dimensions specified on applicable.

Material

Terminal Parts (Underplating : 50 μ " min. Nickel overall)

RJ Terminal : Phosphor Bronze, Thickness=0.25mm

Finish : Contact Area :Gold Flash

Input Terminal : Brass, Thickness=0.35mm

Finish : 100 μ " min. Matte. Tin

Case Terminal : Brass, Thickness=0.30mm

Finish : 100 μ " min. Matte. Tin

GND Terminal : Phosphor Bronze, Thickness=0.30mm

Finish : 100 μ " min. Matte. Tin

Plastic Parts

Housing : PA6T, Black,<UL94V-0>

Upper&Lower Row Case : PA6T, Black&Nature,<UL94V-0>

RJ IM: PA6T, Black,<UL94V-0>

Top&Back Cover : PA6T, Black,<UL94V-0>

Bottom Holder : PA6T, Black,<UL94V-0>

Shield Parts

Front Shield : Stainless Steel, Thickness=0.20mm, unplating

Back Shield : Stainless Steel, Thickness=0.20mm, Pre-soldering

5. Operating and Storage Temperature

Operating Temperature : 0°C to +70°C

Storage Temperature : -40°C to +85°C

6. RJ45 specifications

Insulation Resistance : 500MΩ min.

Insertion force with the latch depressed : 20N max.

Removal force with the latch depressed : 20N max.

Locking Force of Plug Latch : 50N min. @ 60+/-5 sec.

Durability : 750 cycles

7. Performance and Test Description

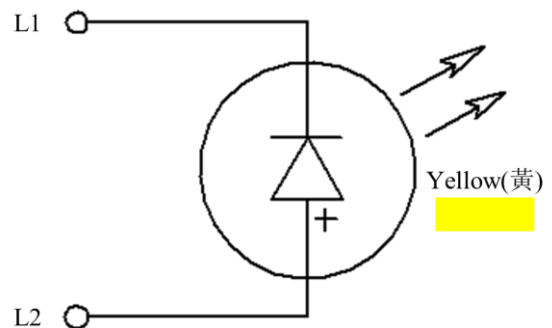
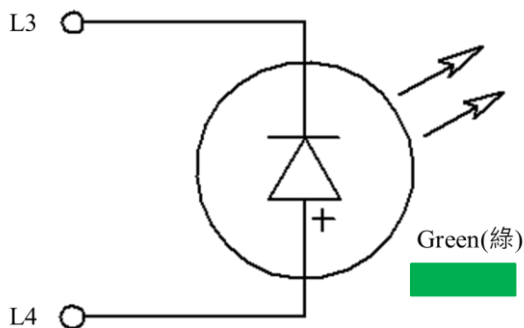
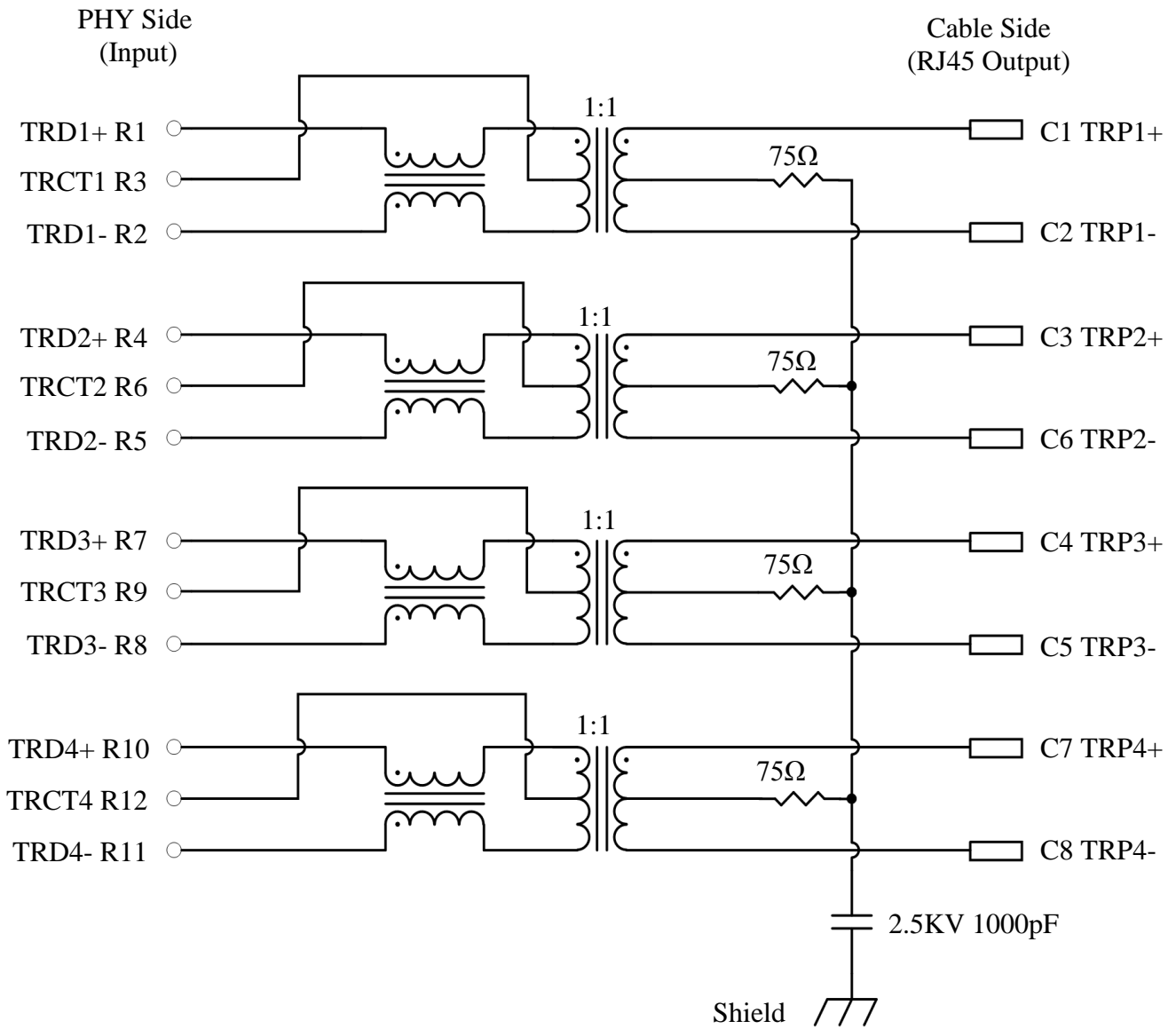
Product is designed to meet electrical, mechanical and environmental performance requirements specified in below table.

All tests are performed at ambient environmental conditions per MIL-STD-1344A and EIA-364 unless otherwise specified.

8. Packaging and Packing

All parts shall be packaged and packed to protect against physical damage, corrosion and deterioration during shipment and storage.

9. ELECTRICAL CHARACTERISTICS @25°C



| Emitting Color | λ_p (nm) | V_f @ $I_f=20mA$ | I_r @ $V_r=5V$ |
|----------------|------------------|--------------------|------------------|
| Green | 570 | 1.7 ~2.6 V | 10 μ A max. |
| Yellow | 588 | 1.7 ~2.6 V | 10 μ A max. |

Transmitter filter & Receiver filter

Type : Balance low pass 100Ω impedance

| | | |
|------------------|------------|---|
| Insertion loss : | 1~5MHZ | -0.575+(0.025*Freq MHz)-0.5 dB Max. |
| | 5~200MHZ | -0.4425-(0.001645*Freq MHz)-0.5 dB Max. |
| | 200~400MHZ | -0.1315-(0.0032*Freq MHz)-0.5 dB Max. |

| | | |
|---------------|------------|------------------------------------|
| Return loss : | 1~40MHz | -18 dB Min. |
| | 40~400MHz | -18+10*log(Freq MHz/40MHz) dB Min. |
| | 400~500MHz | -8+30*log(Freq MHz/400MHz) dB Min. |

Reflected CM to Diff Conversion(REF)

| | |
|--------|------------|
| 50MHz | -30dB Min. |
| 100MHz | -27dB Min. |
| 200MHz | -24dB Min. |
| 300MHz | -22dB Min. |
| 400MHz | -21dB Min. |
| 500MHz | -20dB Min. |

Reflected Diff to CM Conversion(REF)

| | |
|--------|------------|
| 1MHz | -48dB Min. |
| 100MHz | -35dB Min. |
| 400MHz | -24dB Min. |
| 500MHz | -24dB Min. |

CM to Diff Conversion (REF)

| | |
|--------|------------|
| 50MHz | -48dB Min. |
| 100MHz | -42dB Min. |
| 200MHz | -36dB Min. |
| 300MHz | -33dB Min. |
| 400MHz | -30dB Min. |
| 500MHz | -28dB Min. |

CM to CM Attenuation (REF)

| | |
|---------|------------|
| 1MHz | -22dB Min. |
| 500MHz | -20dB Min. |
| 800MHz | -20dB Min. |
| 1000MHz | -17dB Min. |

Cross Talk (REF)

| | |
|--------|------------|
| 1MHz | -34dB Min. |
| 350MHz | -23dB Min. |
| 500MHz | -23dB Min. |

A NEXT (REF)

| | |
|----------|------------|
| 1-500MHZ | -58 dB Min |
|----------|------------|

Inductance (OCL) @ 25°C, 100KHz, 100mV, 8mA DC BIAS

Input(TRD1+, TRD1-); (TRD2+, TRD2-); (TRD3+, TRD3-); (TRD4+, TRD4-): 120uH Min.

HiPot Test

PHY Side(Input) To Cable Side(Output) : 1500Vac 60s or 2250Vdc 60s

10. WAVE SOLDERING TEMPERATURE PROFILE

Note :

The measuring point for the specified temperature shall be on the soldered part of the lead.

