

APPROVAL SHEET

To :

Customer P/N :

UDE P/N : GSB-TD-0001

Description : RJ45 1X1 Tab Up

T/H, Slim, Sink

10G Base-T

Contact Area : 30 μ " Min. Gold

LED :L-Green; R-Amber/Green

Packing With Tape Reel



Spec No.
GSB21004-00

Update Date
2021/3/9

Revision
A

Approved	Checked	Prepared



湧德電子 股份有限公司
UDE Corp.

桃園市(33852) 蘆竹區內溪路 68 巷13號

No.13, Ln. 68, Neixi Rd., Luzhu Dist., Taoyuan City (33852), Taiwan

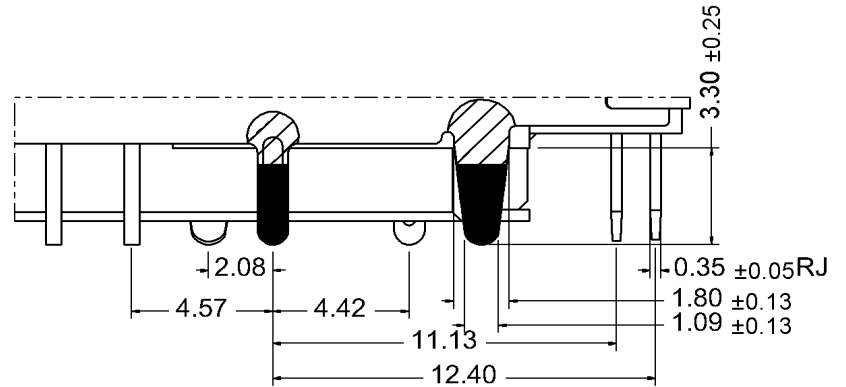
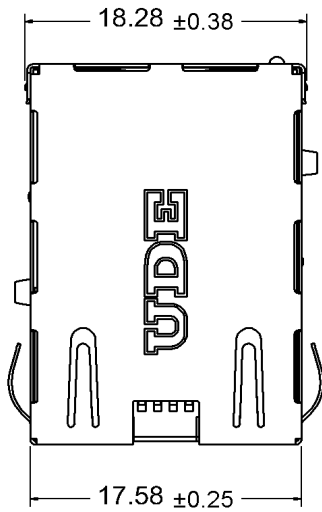
TEL: 886-3-3242000 FAX: 886-3-3246611

<http://www.ude-corp.com/>

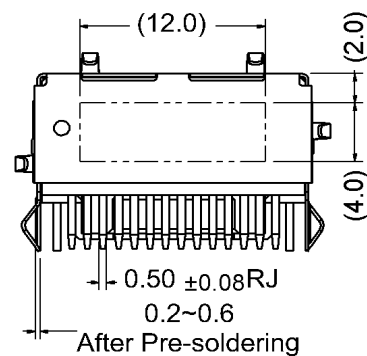
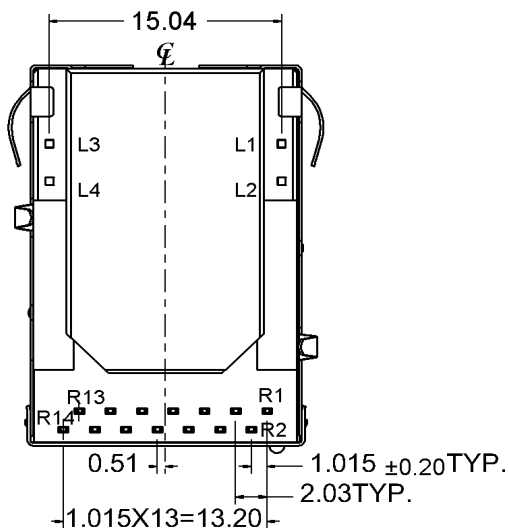
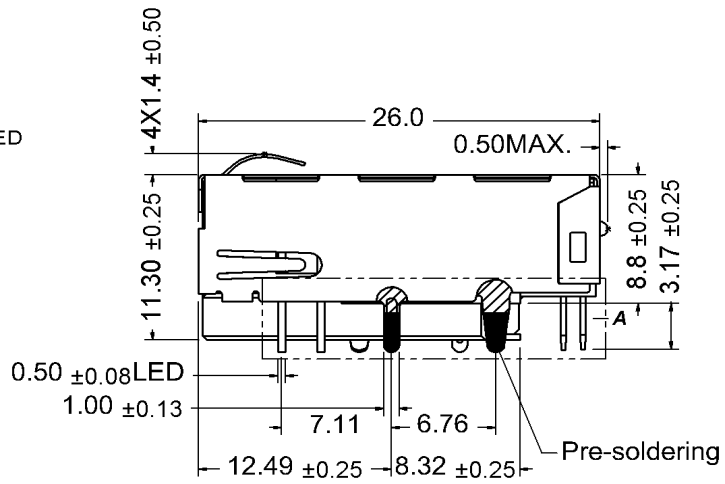
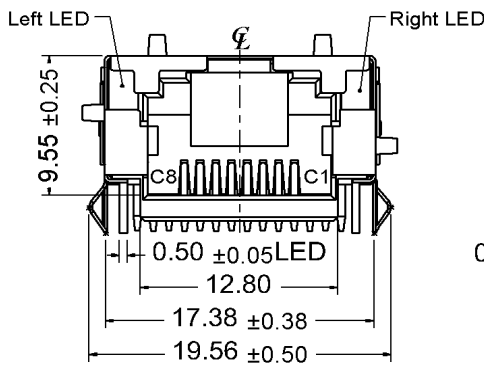
1. MECHANICAL DIMENSION

Product Dimension

Unit:mm	General Tolerance :	X.X : ± 0.38
		X.XX : ± 0.20



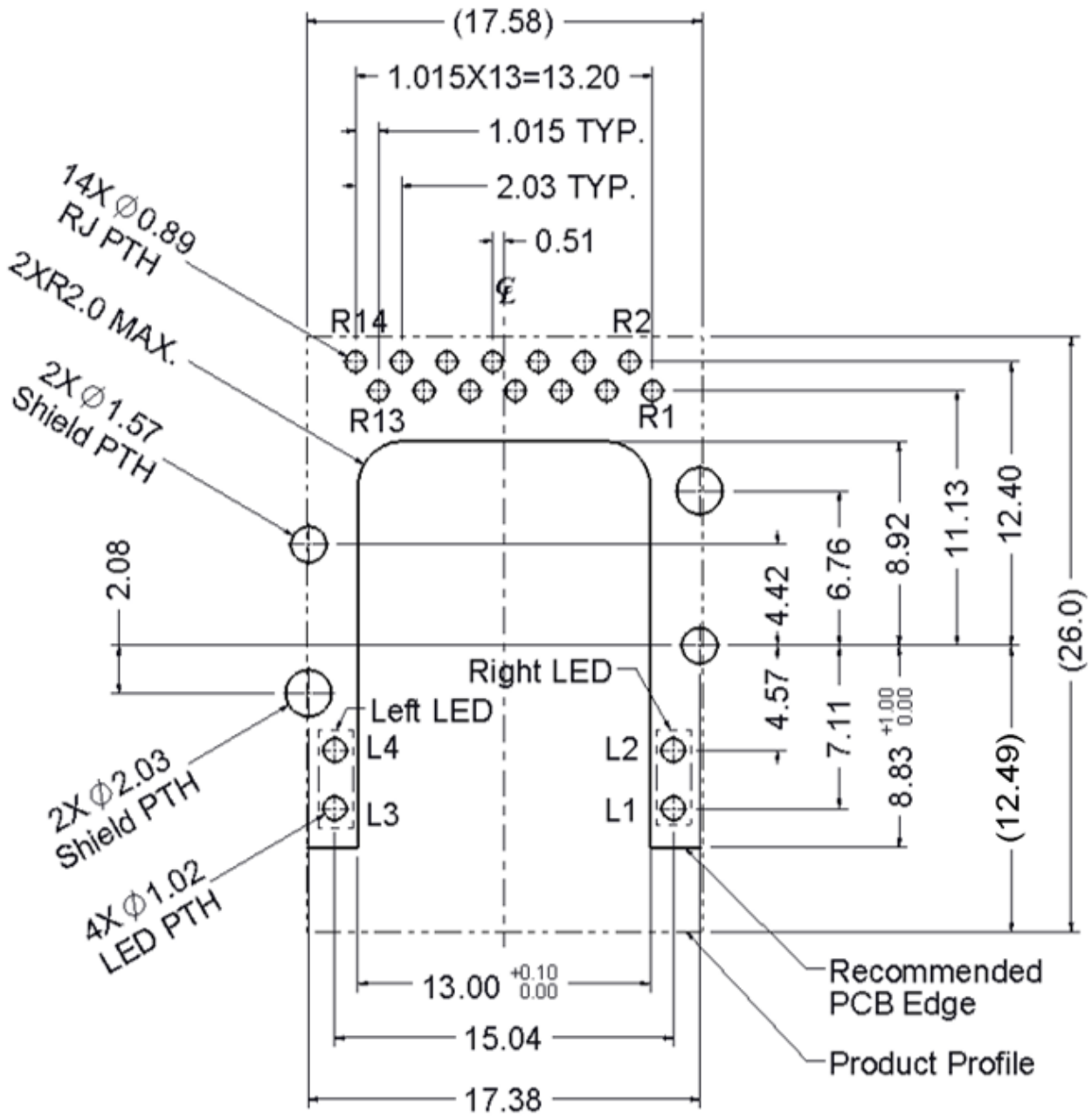
Detail A



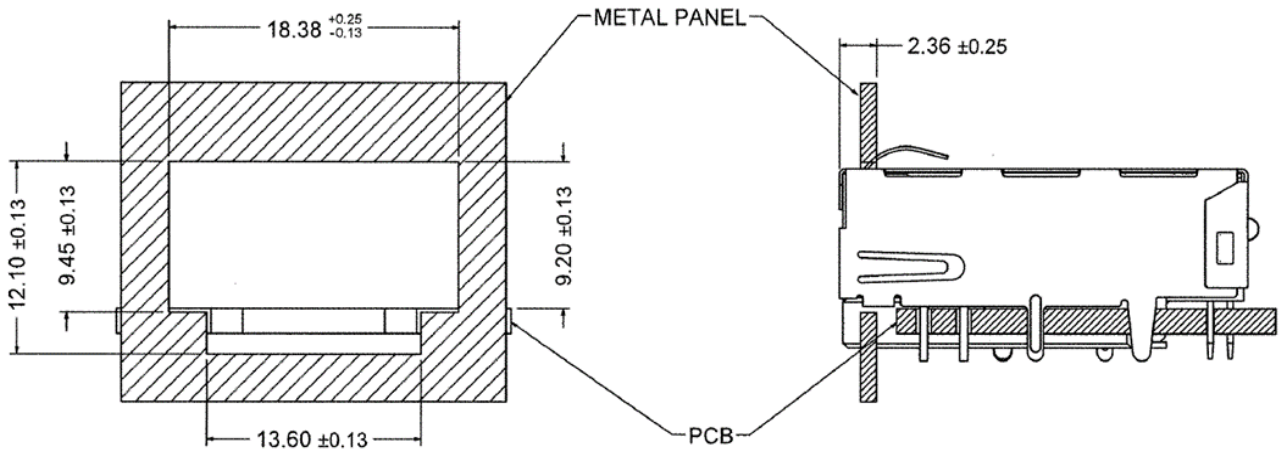
Recommended PCB Layout. Component side of board

All dimension units are "mm".

All dimension tolerances are $\pm 0.05\text{mm}$ unless otherwise specified.



Recommended Panel cutout

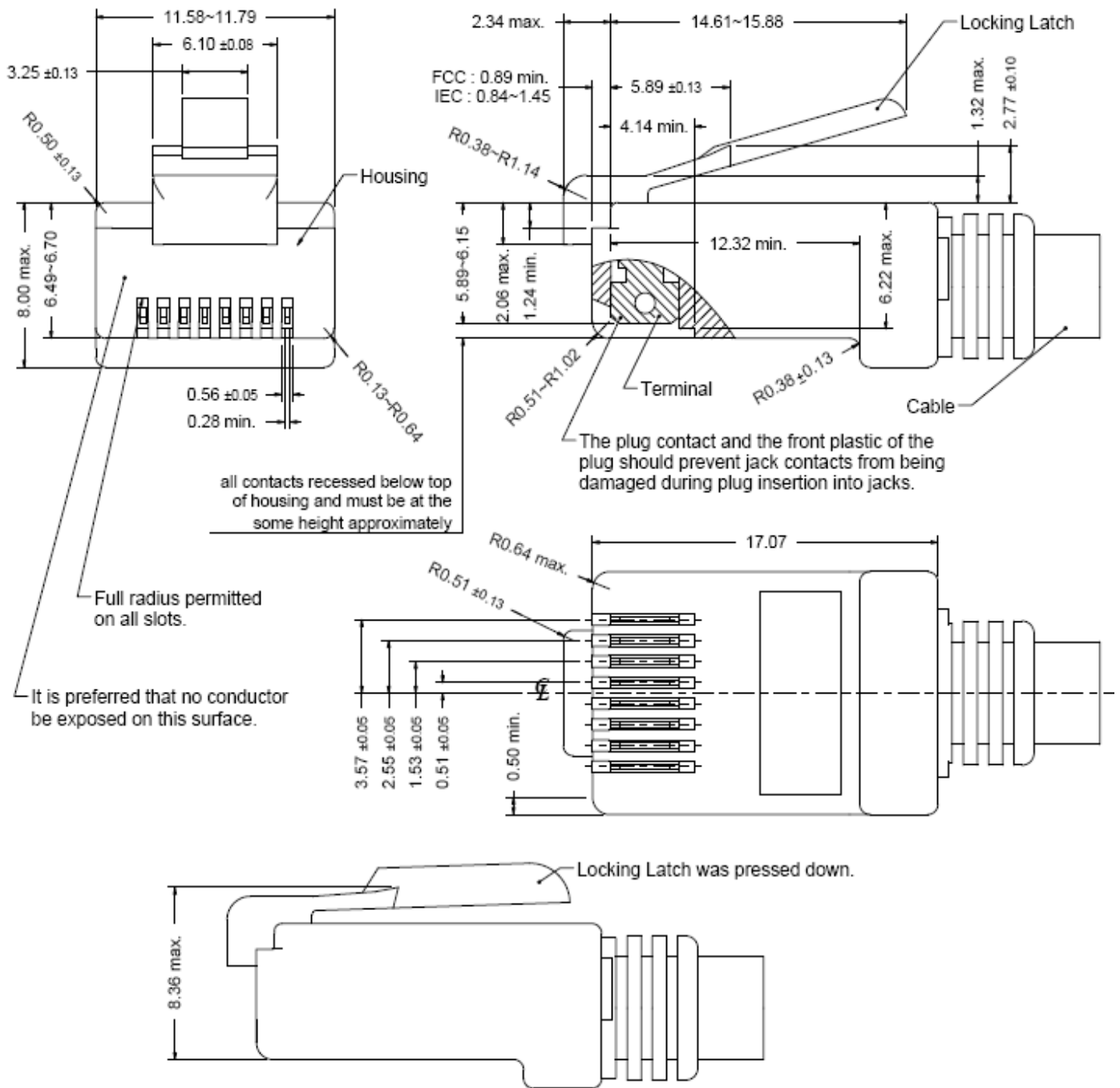


2. Packing Information

150 pcs finished goods per reel

6 reels(900 pcs finished goods) per master carton

3. Standard RJ45 Plug Specification



- All dimensions follow :
FCC subpart F, 68,500, Figure (C)(2)(i) & (C)(2)(ii) & (C)(3)(i)
IEC 60603-7
- All plugs must be meeting the requirements of plug Go & No-Go gauge.
Gauge follow : FCC subpart F, 68,500, Figure (C)(4)(i) & (C)(5)(i)
- There must be no damage to Housing and Locking Latch.
- There must be no nicks and cuts in cable.
- Durability : 750 cycles generally

4. REQUIREMENTS

Design and Construction

Product shall be of design, construction and physical dimensions specified on applicable.

Material

Terminal Parts (Underplating :50 μ " min. Nickel overall)

RJ Terminal : Phosphor Bronze, Thickness=0.30mm

Finish : Contact Area : 30 μ " min. Gold

Input Terminal : Brass, Thickness=0.35mm

Finish : 100 μ " min. Bright Tin

Case Terminal : Brass, Thickness=0.25mm

Finish : 100 μ " min. Bright Tin

Plastic Parts <UL94V-0>

Housing : LCP, Black

Case : PA6T, Black

Shield Parts : Stainless steel, Thickness=0.20mm, Pre-soldering

5. Operating and Storage Temperature

Operating Temperature : -40°C to +85°C

Storage Temperature : -40°C to +85°C

6. RJ45 specifications

Insulation Resistance : 500MΩ min.

Insertion force with the latch depressed : 20N max.

Removal force with the latch depressed : 20N max.

Locking Force of Plug Latch : 50N min. @ 60+/-5 sec.

Durability : 2500 cycles

7. Performance and Test Description

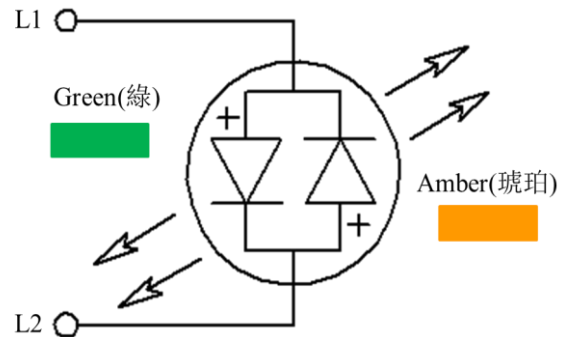
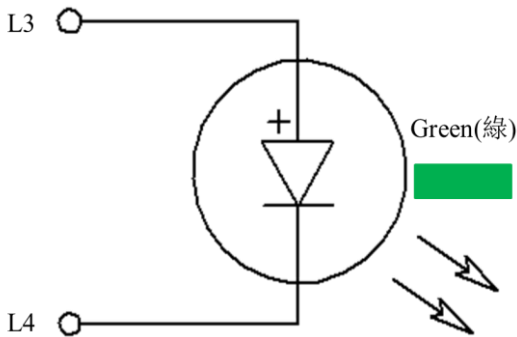
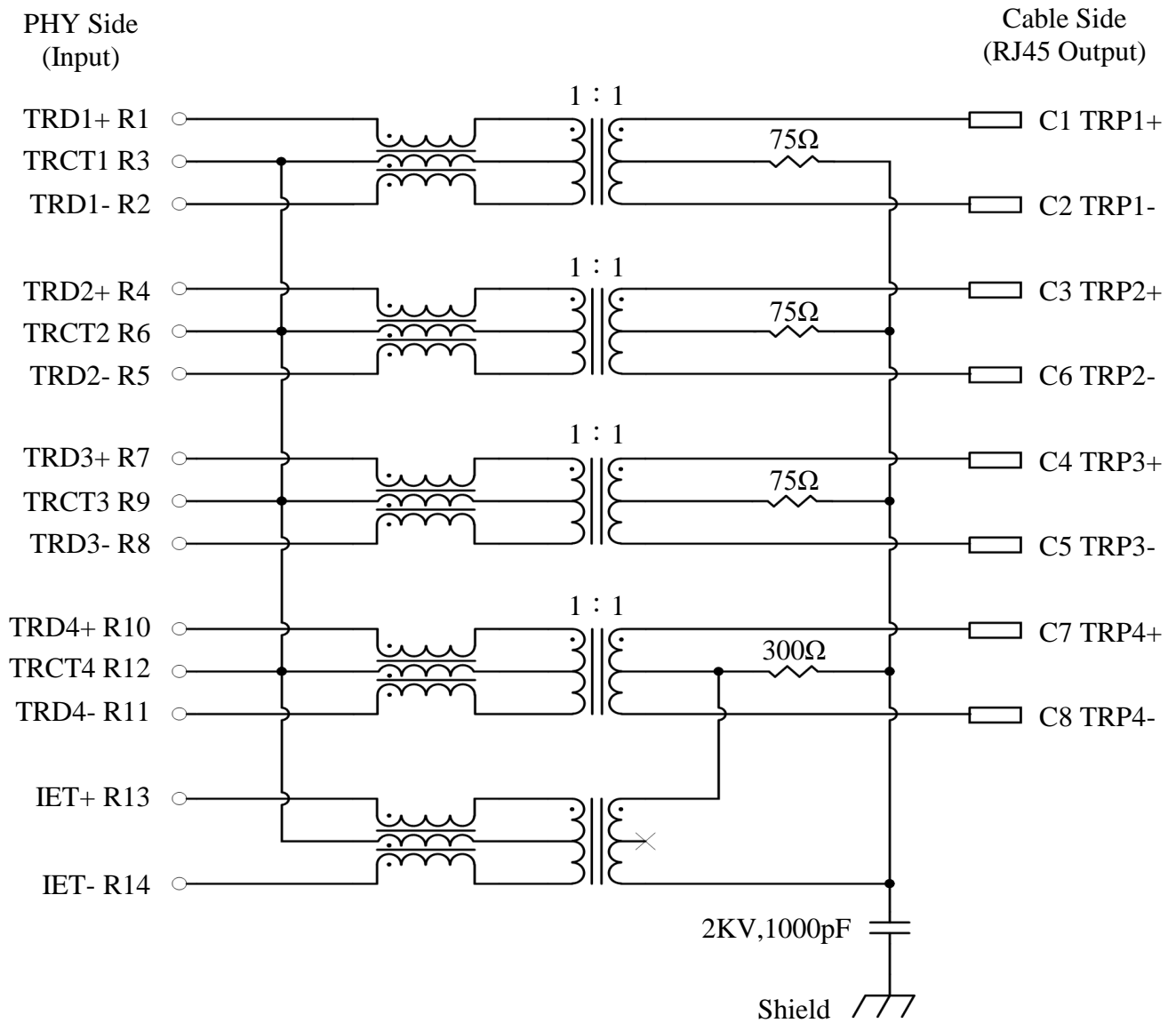
Product is designed to meet electrical, mechanical and environmental performance requirements specified in below table.

All tests are performed at ambient environmental conditions per MIL-STD-1344A and EIA-364 unless otherwise specified.

8. Packaging and Packing

All parts shall be packaged and packed to protect against physical damage, corrosion and deterioration during shipment and storage.

9. ELECTRICAL CHARACTERISTICS @25°C



Emitting Color	λ_p (nm)	V_f @ $I_f=20mA$	I_r @ $V_r=5V$
Green	570	1.7 ~2.6 V	10 μ A max.
Amber	605	1.7 ~2.6 V	10 μ A max.

Transmitter filter & Receiver filter

Type : Balance low pass 100Ω impedance

Insertion loss : 1~400MHz -2.0dB(-1.4TYP) max.

Return loss :	1MHz	-20dB Min.	load 100Ω
	100MHz	-20dB Min.	load 100Ω
	200MHz	-18dB Min.	load 100Ω
	300MHz	-15dB Min.	load 100Ω
	400MHz	-10dB Min.	load 100Ω
	500MHz	-8dB Min.	load 100Ω

Reflected CM to Diff Conversion(REF)

50MHz	-30dB Min.
100MHz	-27dB Min.
200MHz	-24dB Min.
300MHz	-22dB Min.
400MHz	-21dB Min.
500MHz	-20dB Min.

Reflected Diff to CM Conversion(REF)

1MHz	-48dB Min.
100MHz	-35dB Min.
400MHz	-24dB Min.
500MHz	-24dB Min.

CM to Diff Conversion (REF)

50MHz	-48dB Min.
100MHz	-42dB Min.
200MHz	-36dB Min.
300MHz	-33dB Min.
400MHz	-30dB Min.
500MHz	-28dB Min.

CM to CM Attenuation (REF)

1MHz	-22dB Min.
500MHz	-20dB Min.
800MHz	-20dB Min.
1000MHz	-17dB Min.

Cross Talk (REF)

1MHz	-34dB Min.
350MHz	-23dB Min.
500MHz	-23dB Min.

Inductance (OCL) @ 25°C, 100KHz, 100mV, 8mA DC BIAS

Input(TRD1+, TRD1-); (TRD2+, TRD2-); (TRD3+, TRD3-); (TRD4+, TRD4-):160uH Min.

HiPot Test

PHY Side(input) To Cable Side(output) : 1500Vac 60s or 2250Vdc 60s

10. WAVE SOLDERING TEMPERATURE PROFILE

Note :

The measuring point for the specified temperature shall be on the soldered part of the lead.

