

# APPROVAL SHEET

To :

Customer P/N :

UDE P/N : SAA0-ZZ-0001

Description : SFP 2X1 Ass'y  
Press-Fit

With Outer and Inner LightPipe  
Contact Area : 15 $\mu$ " min. Gold  
Packing With Tray



Spec No.  
SAA020001-00

Update Date  
2020/2/27

Revision  
A

Approved	Checked	Prepared



湧德電子 股份有限公司  
UDE Corp.

桃園市(33852) 蘆竹區內溪路 68 巷13號

No.13, Ln. 68, Neixi Rd., Luzhu Dist., Taoyuan City (33852), Taiwan

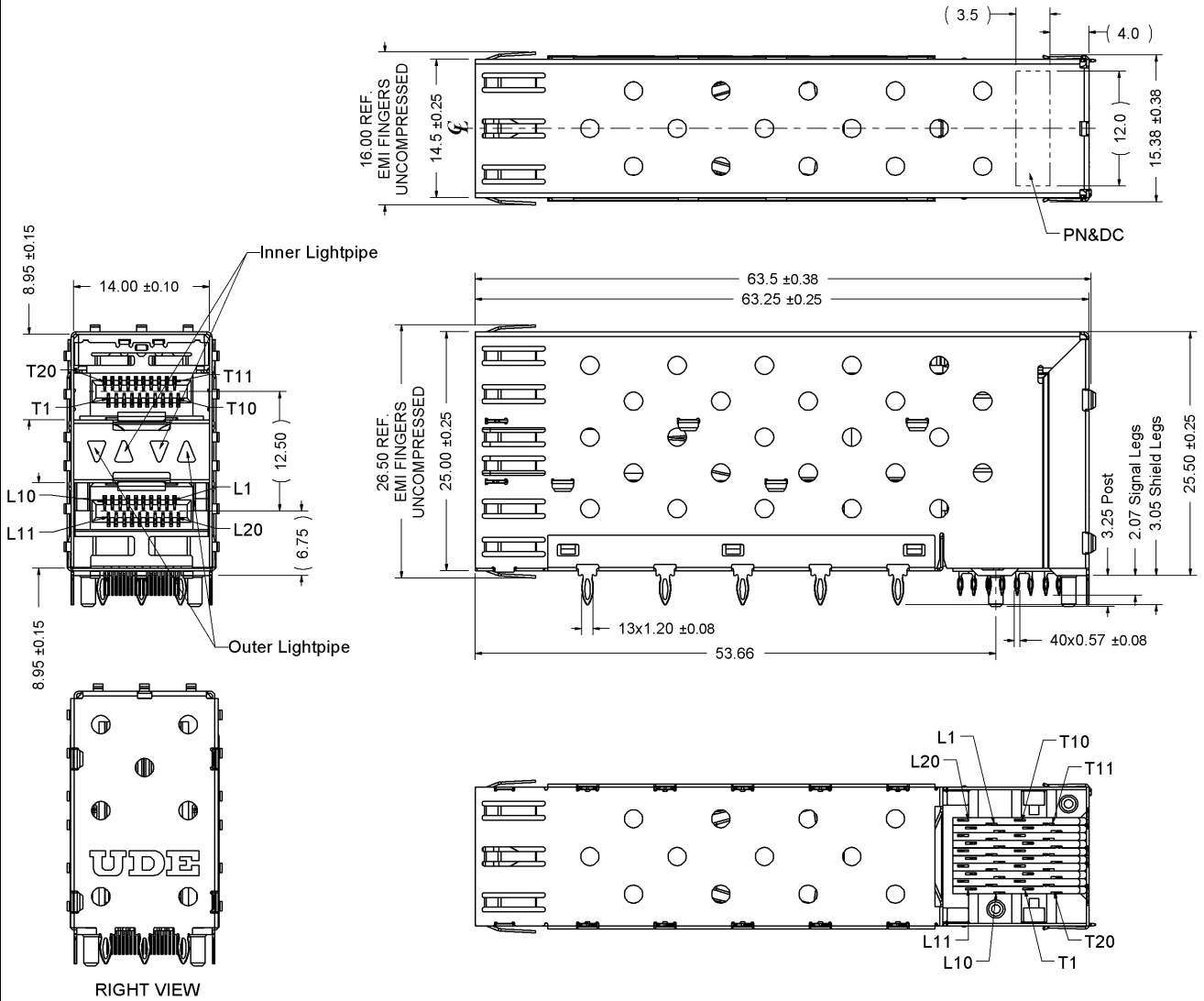
TEL: 886-3-3242000 FAX: 886-3-3246611

<http://www.ude-corp.com/>

1. MECHANICAL DIMENSION

1.1 Product Dimension

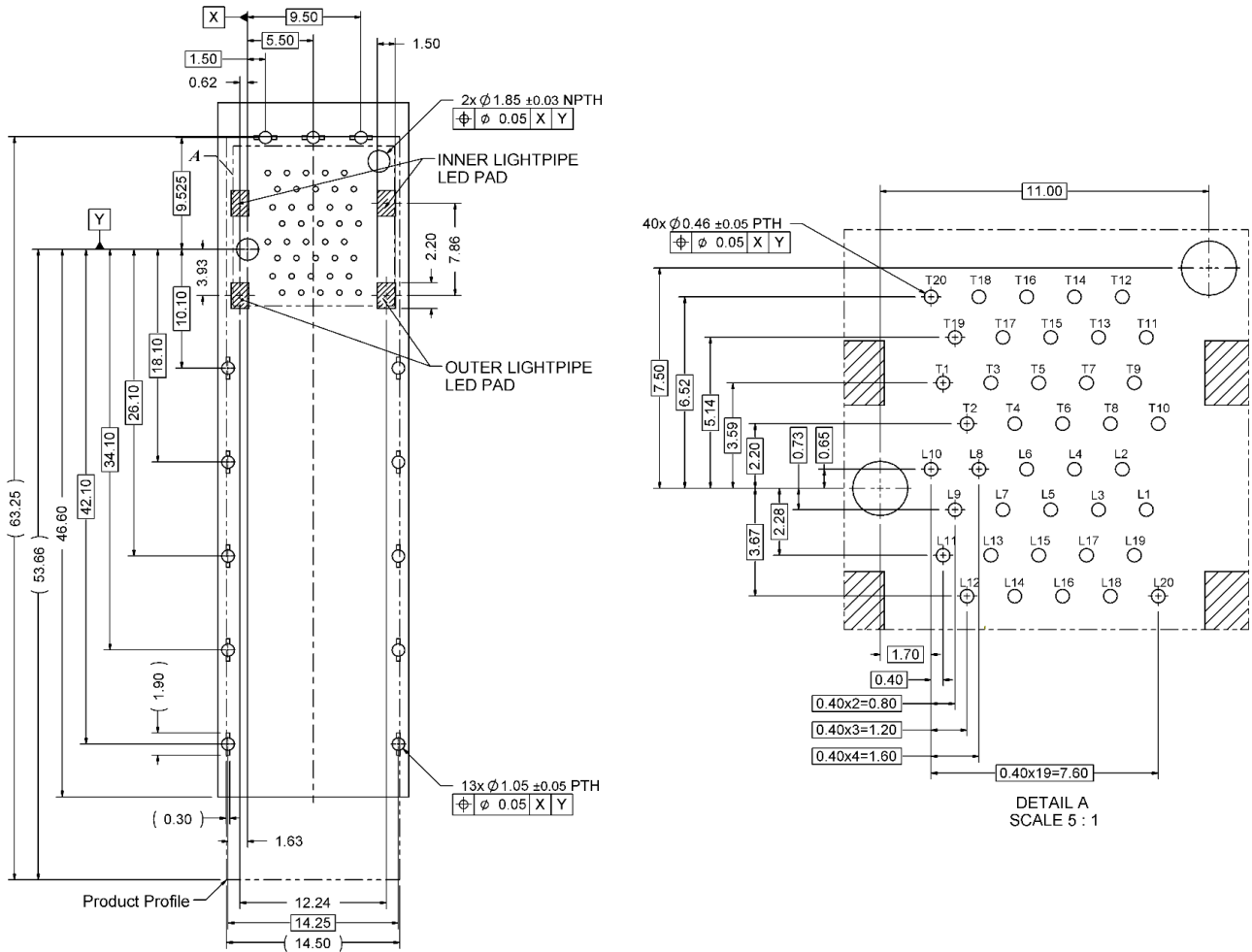
Unit : mm	General Tolerance : X.X : ± 0.38 X.XX : ± 0.20
-----------	------------------------------------------------------



### 1.2 Recommended PCB Layout

#### Component Side of Board

All dimension tolerance are  $\pm 0.05\text{mm}$  unless otherwise specified

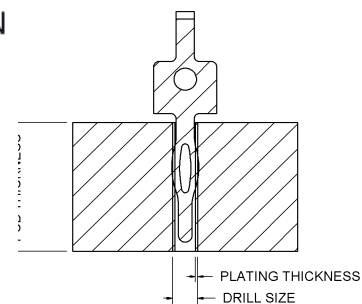


**NOTES:**

1. RECOMMENDED THRU HOLE PLATING INCLUDES HASL, OSP, OR IMMERSION (GOLD, SILVER, OR TIN)
2. 1.57mm MINIMUM PCB THICKNESS FOR SINGLE SIDED USB.
3. HATCHED AREA IS PLACEMENT ZONE FOR LED, LED SHOULD BE CENTERED WITHIN ZONE, RECOMMEND 0805 PACKAGE

RECOMMENDED MOTHER BOARD THROUGH HOLE DIMENSION

PLATED THROUGH HOLE	1.05 SHIELD PINS	0.46 SIGNAL PINS
FINISHED HOLE DIAMETER	1.05 ±0.05	0.46 ±0.05
DRILLED HOLE DIAMETER	1.15	0.56
COPPER PLATING	0.025 min.	0.025 min.



RECOMMENDED MOTHER BOARD THROUGH HOLE DIMENSION

PRESS-FIT ASSEMBLIES

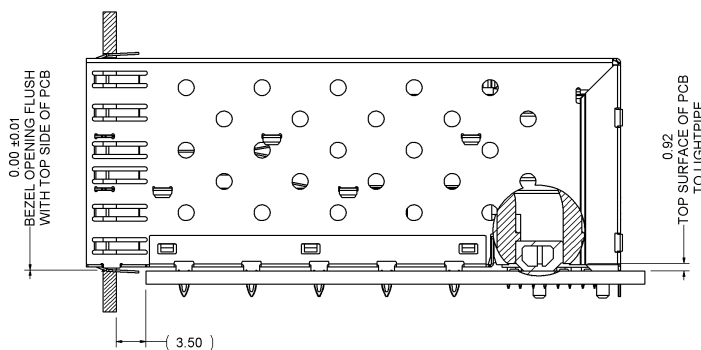
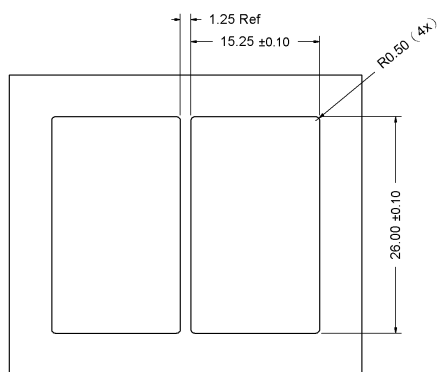
HAND PLACE USING PROPER SEATING FORCE TO ENGAGE ALL LEG TAILS INTO PLATED THROUGH HOLES

ASSEMBLIES ARE TO BE SEATED PER THE INSTRUCTIONS ASSOCIATED WITH THE APPROPRIATE INSERTION TOOL

NOTE:UDE RECOMMENDS ONLY ONE CONNECTOR ASSEMBLY BE INSTALLED AT A TIME

ASSEMBLE INSERTION FORCE		
PORT SIZE	PCB FINISH	FORCE
2X1	Copper w/OSP	390±40N

1.3 Recommended Panel Cutout



1.4 Packing Information

24 pcs finished goods per tray

5 trays(120pcs finished goods) per master carton

## 2. REQUIREMENTS

### 2.1 Design and Construction

Product shall be of design, construction and physical dimensions specified on applicable.

### 2.2 Material

Top Shell : Copper Alloy, Thickness=0.25mm

Bottom Shell :Copper Alloy, Thickness=0.25mm

UD Mid Ground: Copper Alloy, Thickness=0.25mm

Inner Spring : SUS304, Thickness=0.20mm

Connector Housing: LCP. UL: 94V-0 Color:Black

Terminal: Copper Alloy, Thickness=0.20mm

Outer&Inner Lightpipe : PC, UL94V-0, Transparent

Lightpipe Cover : PBT. UL94V-0 Color:Black

### 2.3 Finish :

Terminal : 15 $\mu$ " min Gold Plating on contact area, 50 $\mu$ " min. Nickel overall

Solder Tail: 30 $\mu$ " min Matte Tin, 50 $\mu$ " min Nickel overall

### 2.4 Operating and Storage Temperature

Operating Temperature : -40°C to +85°C

Storage Temperature : -55°C to +105°C

### 2.5 SFP specifications

Contact Current Rating: 0.5A (per contact)

Insulation Resistance : 100M $\Omega$  min.

Dielectric Withstanding Voltage : 300VDC @1min.

Insertion force : 40N MAX.

Extraction force : 12.5N MAX.

Durability : 100 cycles MIN.

Cage Retention (Latch strength) : 90N Min.

## 2.6 Performance and Test Description

Product is designed to meet electrical, mechanical and environmental performance requirements specified in below table. All tests are performed at ambient environmental conditions per MIL-STD-1344A and EIA-364 unless otherwise specified.

## 2.7 Packaging and Packing

All parts shall be packaged and packed to protect against physical damage, corrosion and deterioration during shipment and storage.

