

APPROVAL SHEET

To :

Customer P/N :

UDE P/N : L1CN001-0

Description : 1000 Base -T
Single Port LAN Filter



Spec No.
LZ0024-00

Update Date
2020/5/20

Revision
D

Approved	Checked	Prepared



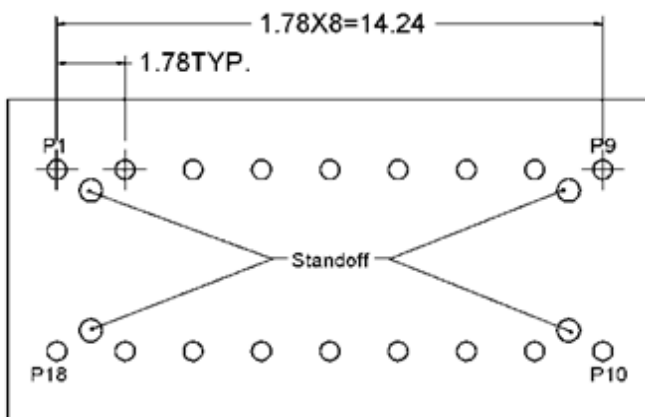
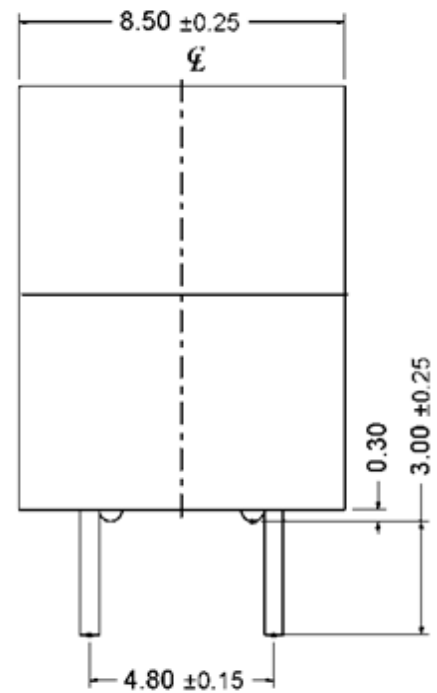
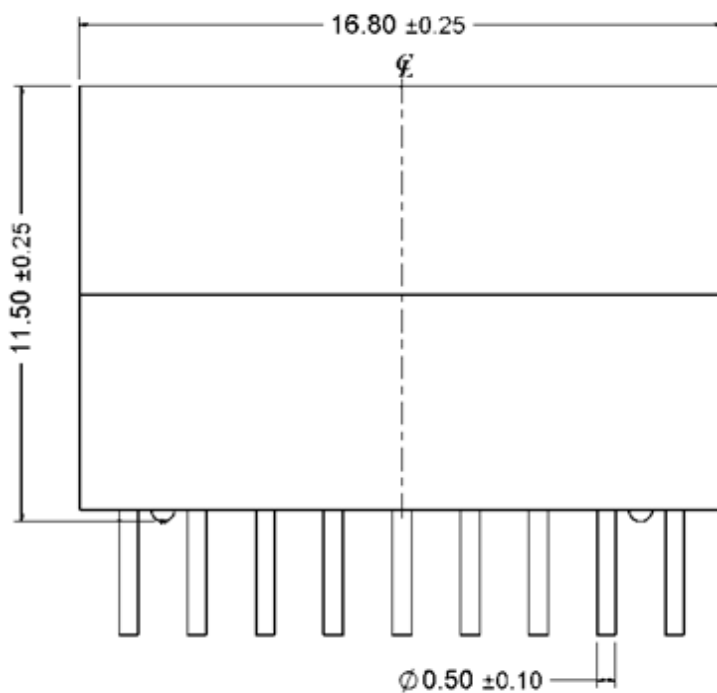
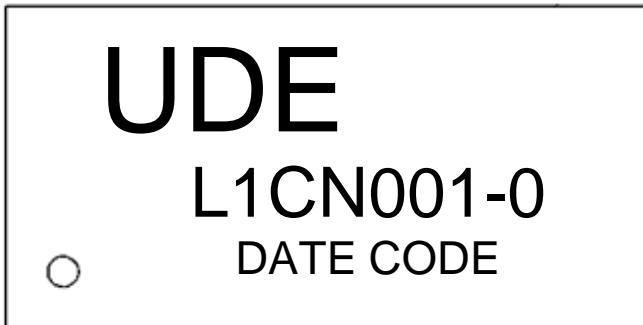
湧德電子 股份有限公司
UDE Corp.

桃園市(33852) 蘆竹區內溪路 68 巷13號
No.13, Ln. 68, Neixi Rd., Luzhu Dist., Taoyuan City (33852), Taiwan
TEL: 886-3-3242000 FAX: 886-3-3246611
<http://www.ude-corp.com/>

1. MECHANICAL DIMENSION

1.1 Product Dimension

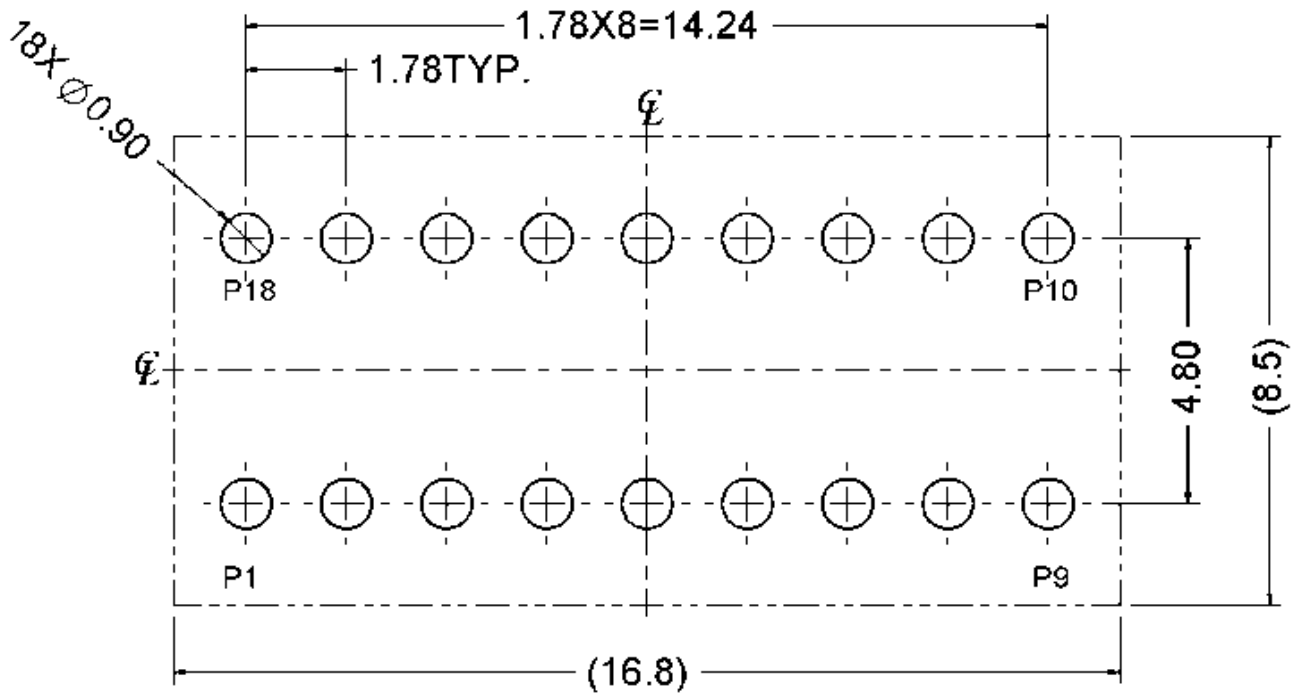
General Tolerance : X.X : ± 0.25
 X.XX : ± 0.13



1.2 Recommended PCB Layout

Component Side of Board

All dimension tolerances are $\pm 0.08\text{mm}$ unless otherwise specified



1.3 Order Information

L 1 C N 001 - 0
 A B C D E F

- A、 Filter
- B、 DIP
- C、 18PIN
- D、 Normal
- E、 Product Numbering
- F、 Normal

2. SPECIFICATION

2.1 Designed for Ethernet 1000 Base-T,Single port applications.

2.2 Supports 4 pairs of category 5 UTP cable.

2.3 Cable interface for isolation and low common mode emissions.

2.4 Compliant with IEEE 802.3ab standard for 1000 Base-T.

2.5 Compliant with Halogen Free&RoHS requirements.

2.6 Operating and Storage Temperature

Operating Temperature : 0°C to +70°C

Storage Temperature : -25°C to +105°C

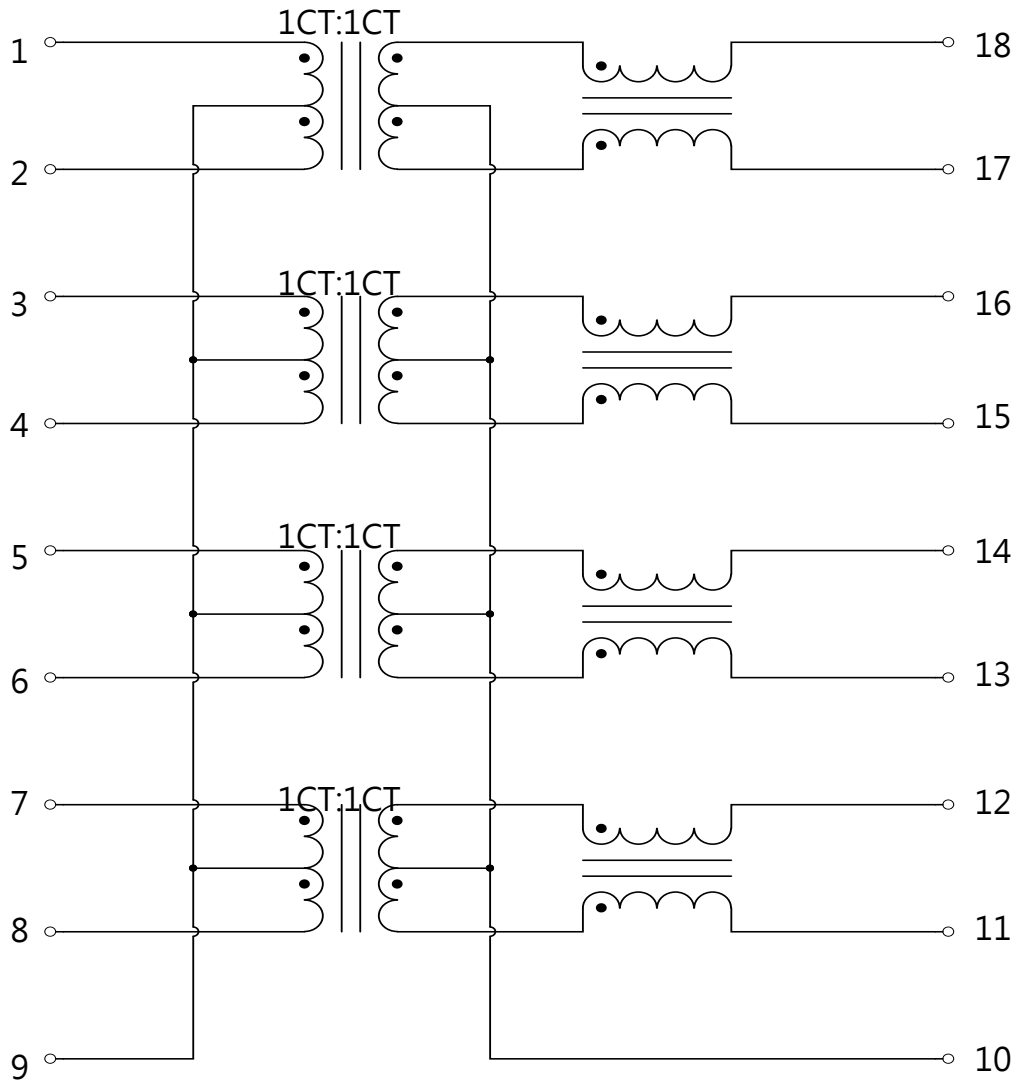
2.7 Packing Information

30 pcs finished goods per Tube

192 Tubes(5760 pcs finished goods) per master carton.

3. ELECTRICAL CHARACTERISTICS

3.1 Schematic



3.2 Electrical Specifications @25°C

Type : Balance low pass 100Ω impedance

Insertion loss : 1~100 MHz -1.0dB max.

Return loss : 1~30 MHz -18dB min. load 100Ω

30~60MHz -14dB min. load 100Ω

60~80MHz -12dB min. load 100Ω

80~100MHz -10dB min. load 100Ω

3.3 DCMR

@ 30 MHz -40dB min.

@ 60 MHz -35dB min.

@ 100 MHz -30dB min.

3.4 Cross Talk

@ 30 MHz -40dB min.

@60 MHz -35dB min.

@ 100 MHz -30dB min.

3.5 Inductance

@ 100KHz, 0.1V, 8mA DC BIAS 350uHMin

3.6 HiPot Test

@ 1500 Vrms

3.7 Turns Ratio

@ 1:1±5%

4. WAVE SOLDERING TEMPERATURE PROFILE

Recommend Wave Soldering Curve:

